

Important safety instructions for installation



Disconnect the power supply whenever you proceed to the installation or repair of the control panel.

- The panel must be installed while the power is disconnected.
- Before installing the panel, remove all unnecessary ropes or chains and disable any equipment such as locks that is not necessary for the automatic operation.
- Before installing the panel, check that the door is in good mechanical condition, correctly balanced and that it opens and closes correctly.
- Install the manual unlocking device at a height lower than 1.8m.
- Install any permanent control next to the door away from any moving part and at a minimum height of 1.5m.
- For permanently connected equipment, an easily accessible power disconnection device must be incorporated into the wiring. It is recommended that this be of the emergency switch type.
- If the control panel is supplied without emergency stop button, this will be incorporated in the installation, connecting it to the STOP terminal.
- For correct use of the security edge, this must never be activated when the door is fully closed. It is wise to install the ends of run before activating the edge.
- This equipment can only be handled by a specialist fitter, by maintenance staff or by a suitably trained operator.
- To connect the power supply and motor wiring, 2.5 mm² section terminals must be used.
- Use protective goggles when handling the equipment.
- Fuses must only be handled when the appliance is disconnected from the mains.
- The instructions for using this equipment must remain in the possession of the user.
- European door normative EN 12453 and EN 12445 specify the following minimum protection and door safety levels:
 - for single-family dwellings, prevent the door from making contact with any object or limit the force of contact (e.g. safety band), and in the case of automatic closing, it is necessary to complement this with a presence detector (e.g. photocell).
 - for communal and public installations, prevent the door from making contact with any object or limit the force of contact (e.g. safety band), and complement this with a presence detector (e.g. Photocell).

Important safety instructions for use

- Do not allow children to play with the door controls.
- Keep the remote controls out of the reach of children.
- Watch the door movement and keep people away until the door is fully open or closed.
- Precaution when operating the manual unlocking device, as the door may suddenly fall due to the bad condition of the springs or door unbalance. Details on how to use the manual unlocking device must be provided by the manufacturer or the device installer.
- Examine the installation frequently, especially the cables, springs and supports, to detect signs of wear, damage or unbalance. Do not use the door if repair work or adjustments are required, as this may cause damage.

Use of the equipment

Designed for automation of garage doors, in accordance with the general description. Not guaranteed for other uses. The manufacturer reserves the right to alter equipment specifications without prior notification.

EU Declaration of conformity

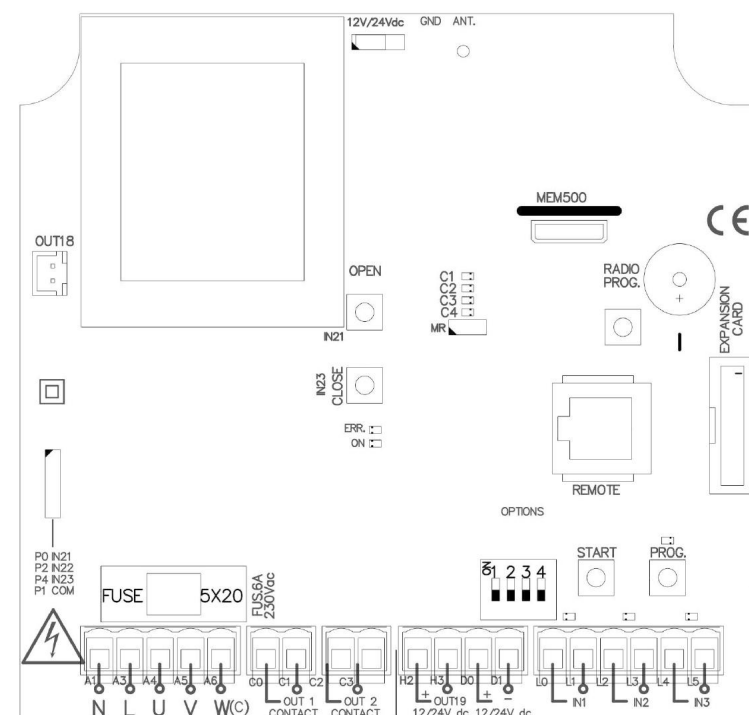
JCM TECHNOLOGIES, SA hereby declares that the product M8 complies with the requirements of the Machine Directive 2006/42/EC as well as with the Directives 2014/30/EU on electromagnetic compatibility and 2014/35/EU regarding low voltage whenever its usage is foreseen; and with the 2011/65/EU RoHS Directive.

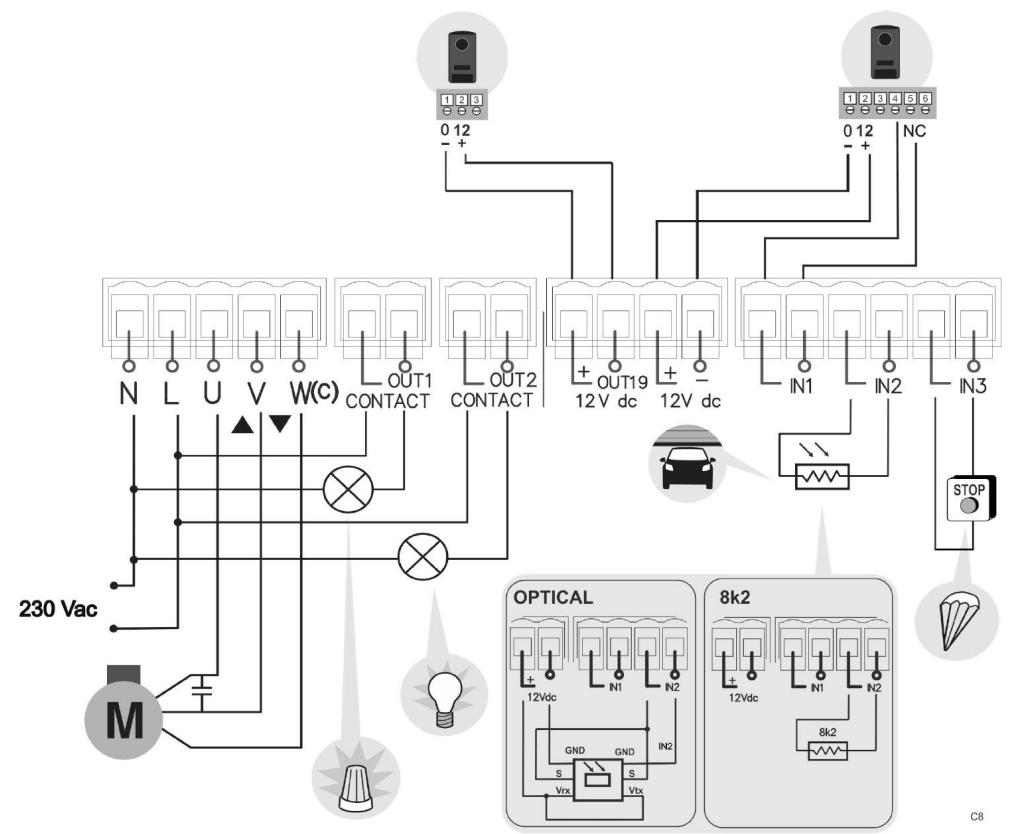


M8 User Manual

Technical Data

Frequency	868,35MHz
Codification	High security rolling code
Memory	27 codes (expandable to 500 codes with memory card)
Power supply	230Vac +/-10%
Maximum motor power	750W / 1200W (intensive use / residential use)
Standby / operating consumption	23mA / 43mA
Motor fuse	6A
Optional cards	V-XPAN + MEM 500 + TL-CARD-V + RSEC/R
Free voltage output	2 outputs
12Vdc/24Vdc output (selectable by jumper)	1 fixe + 1 configurable (200mA)
Maneuver time	1 second - 6 minutes
Operating temperature	-20°C to +85°C
Watertightness	IP32
Box size	180 x 152 x 88 mm

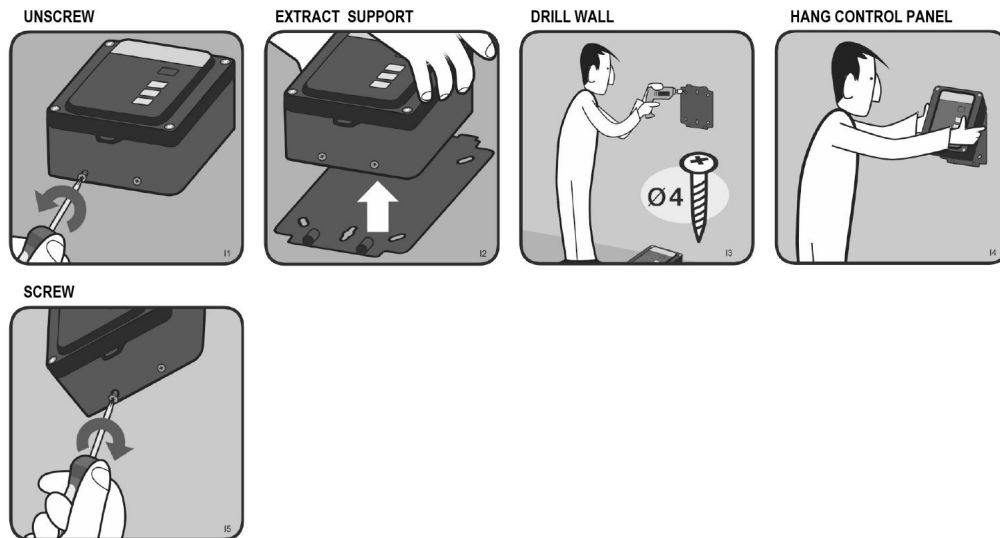




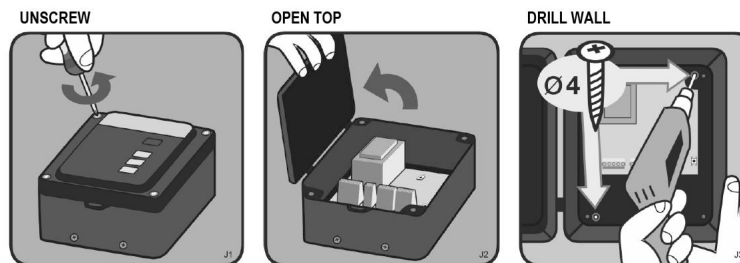
C8

-

Installation with support



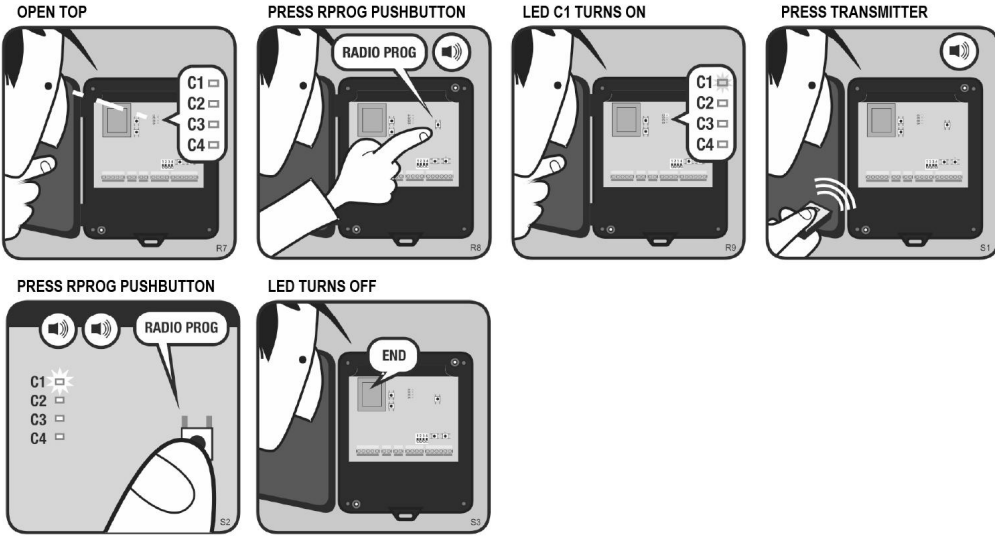
Installation Without support



Door Positioning



Radio Manual Programming



Total Reset



Programming

